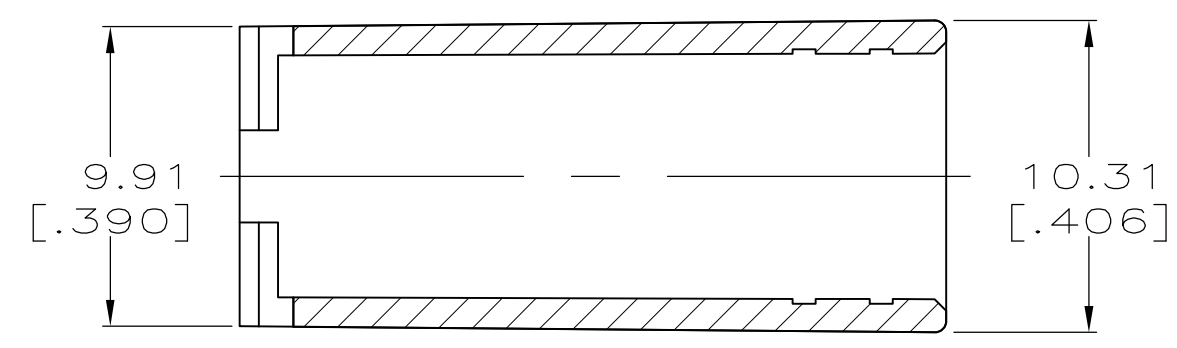


THIS DRAWING IS UNPUBLISHED. RELEASED FOR PUBLICATION
 © COPYRIGHT - By - ALL RIGHTS RESERVED.

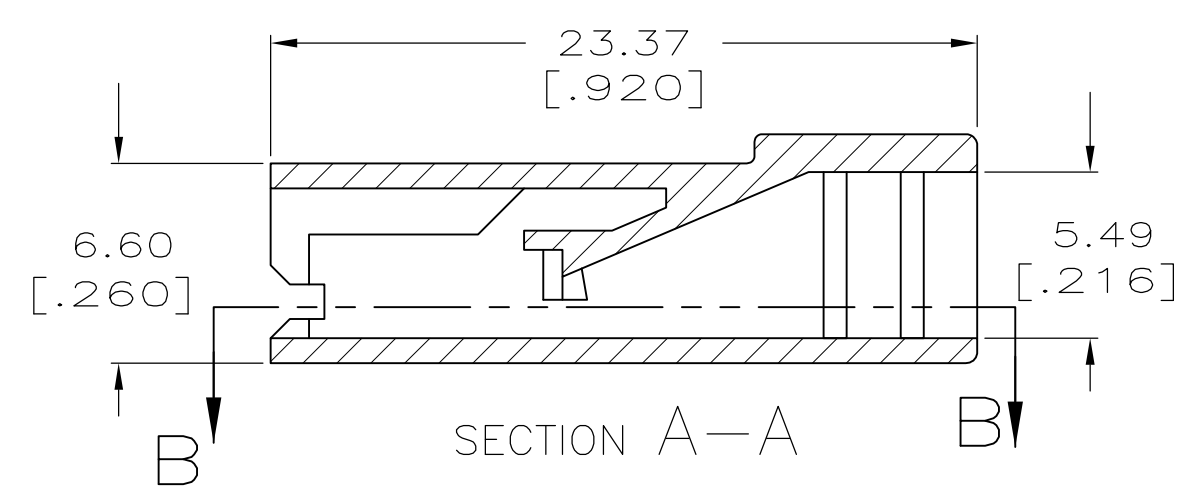
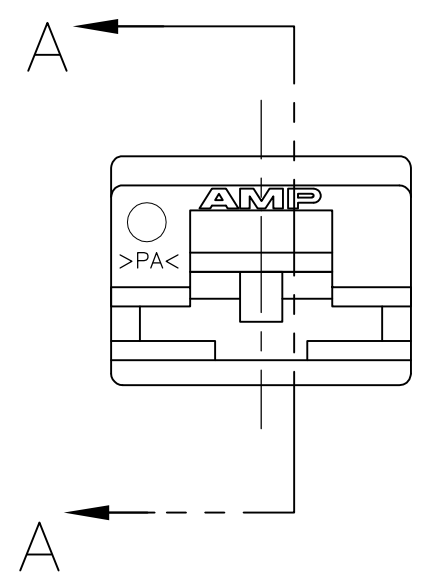
| | | | | | | | |
|-----|------|-----------|-----|---------------------------|---------|-----|------|
| LOC | DIST | REVISIONS | | | | | |
| AF | 50 | P | LTR | DESCRIPTION | DATE | DWN | APVD |
| | | AC6 | | REVISED PER ECO 13-003620 | 01MAR13 | JR | PD |



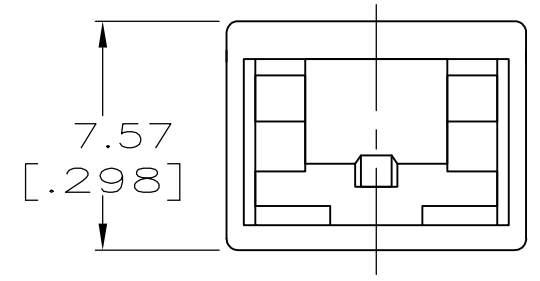
SECTION B-B

- 1 SPECIAL PACKAGING QUANTITIES.
- 2 POLYAMIDE ACCORDING TO IEC 60335-1, GLOW WIRE.
- 3 PRELIMINARY - NOT FOR PRODUCTION

5 CONTACT PRODUCT ENGINEERING FOR TERMINAL RECOMMENDATIONS WHEN USING THIS INSULATOR WITH 10 AWG WIRE



SECTION A-A



SUPERCEDED BY 1-480416-0
 OBSOLETE
 SUPERCEDED BY 1-480416-0

| | | | |
|---------|--------------------------------|-----|------------|
| NATURAL | 2 ⁶⁶ NYLON, UL94 V0 | 3 | 2-480416-3 |
| NATURAL | 2 UL94 V2 | | 2-480416-2 |
| NATURAL | 6/6 NYLON | 3 1 | 2-480416-1 |
| NATURAL | UL94 5VA RATED | 3 | 2-480416-0 |
| NATURAL | 4/6 NYLON UL 150 | | 1-480416-8 |
| NATURAL | 66 NYLON, V0 | | 1-480416-7 |
| NATURAL | POLYESTER | | 1-480416-6 |
| RED | 6/6 NYLON | | 1-480416-4 |
| BLUE | | | 1-480416-3 |
| BLACK | | | 1-480416-1 |
| NATURAL | | | 1-480416-0 |
| FINISH | MATERIAL | | PART NO |

| | | | | | | | |
|--|-----------|------------------|-----------|-----------|---|------------|----------|
| THIS DRAWING IS A CONTROLLED DOCUMENT. | | DWN | JR RUTH | 2/4/91 | STE TE Connectivity | | |
| DIMENSIONS: INCHES | | CHK | P FORTNEY | 2/4/91 | | | |
| TOLERANCES UNLESS OTHERWISE SPECIFIED: | | APVD | C MEYERS | 2/4/91 | NAME | | |
| 0 PLC ± - | | PRODUCT SPEC | | | HOUSING, RECEPTACLE, FASTON, 6.35 [.250] SERIES | | |
| 1 PLC ± - | | APPLICATION SPEC | | | - | | |
| 2 PLC ± 0.38 [.015] | | SIZE | A3 | CAGE CODE | 00779 | DRAWING NO | C-480416 |
| 3 PLC ± - | | WEIGHT | | | RESTRICTED TO | | |
| 4 PLC ± - | | CUSTOMER DRAWING | | | - | | |
| ANGLES ± - | | SCALE | 4:1 | | SHEET | 1 OF 1 | |
| MATERIAL | SEE TABLE | FINISH | SEE TABLE | | REV | AC6 | |